



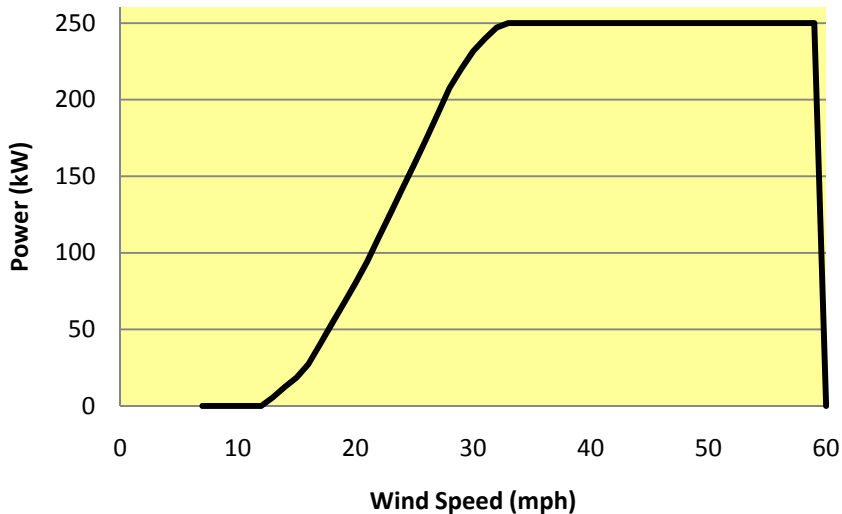
PowerWorks Wind Turbines LLC

250 KW WIND TURBINE SALES BROCHURE



- 250 kW wind turbine, model WEG MS-2
- wind turbines currently operating in California
- 82 ft (25 m) rotor diameter
- 82 ft (25 m) tube tower height
- limited 1-year parts-only warranty
- spare parts available
- complete turbine repair services
- comprehensive project / site engineering
- turbine installation and commissioning
- operation and maintenance services
- support services after startup to fit your needs

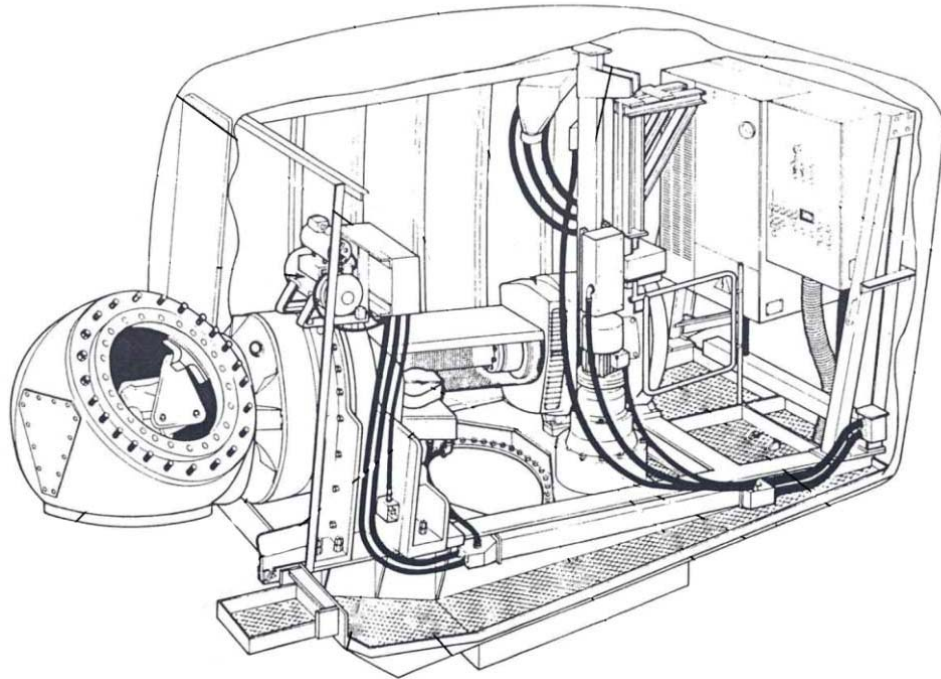
250 kW Power Curve



© 2011 PowerWorks Wind Turbines LLC

15850P Jess Ranch Road • Tracy, California 95377 USA

phone 925.230.8145 • mm@powerworks.com • www.powerworks.com



- Generator** induction 380 kVA, 60 Hz, 250 kW rated output
- Transmission** 2-stage epicyclic/parallel gearbox, 37.5:1 ratio
1,800 rpm output, 48 rpm input
- Rotor** electric variable pitch blade design
rotor diameter 82 ft (25 m)
swept area 5,281 ft² (491 m²)
rotational speed 48 rpm
upwind orientation, electric yaw
- Blades** wood epoxy composite NASA LS(1)
- Tower** 82 ft (25 m) tube tower
- Control System** microprocessor-based PLC controller (Honeywell)
user control interface: local and remote mode only

